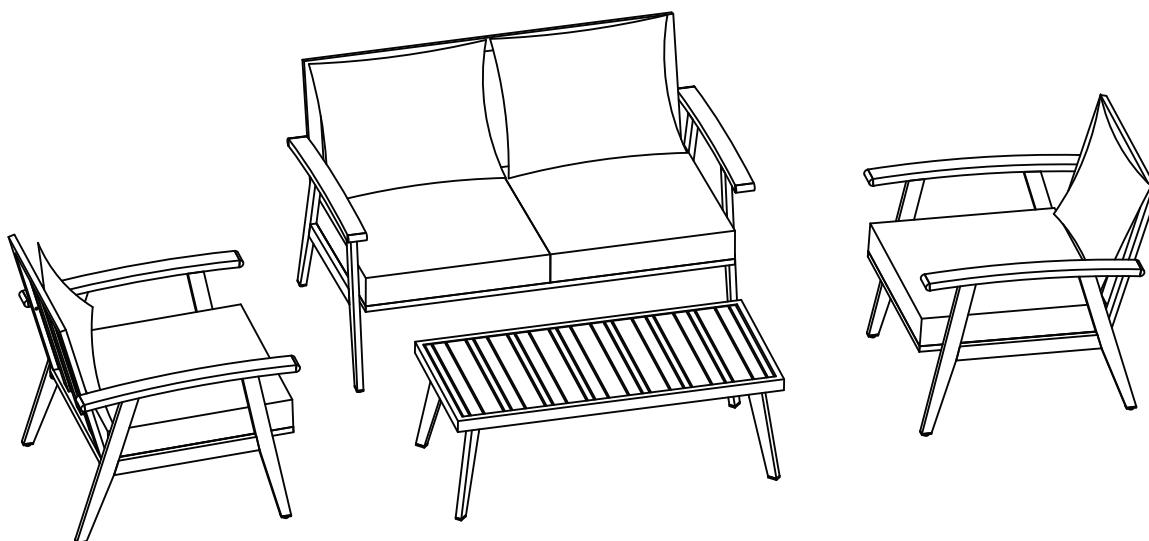
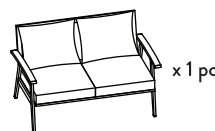
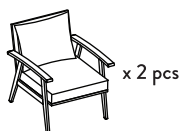


TAYLOR METAL OUTDOOR CONVERSATION SET



Complete set includes:



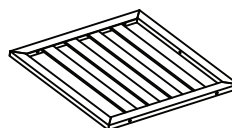
A Left Arm - 3 pcs



B Right Arm - 3 pcs



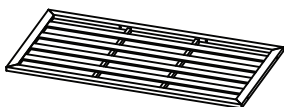
C Chair Bottom - 2 pcs



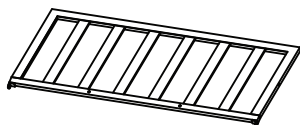
D Chair Back - 2 pcs



E Loveseat Bottom - 1 pc



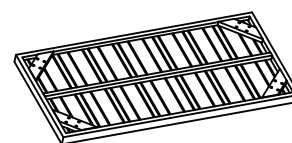
F Loveseat Back - 1 pc



G Table Leg - 4 pcs



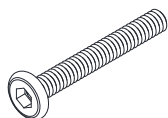
H Table Top - 1 pc



I M6 x 20mm Bolt - 22 pcs



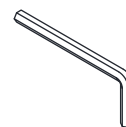
J M6 x 55mm Bolt - 22 pcs



K M6 Washer - 44 pcs



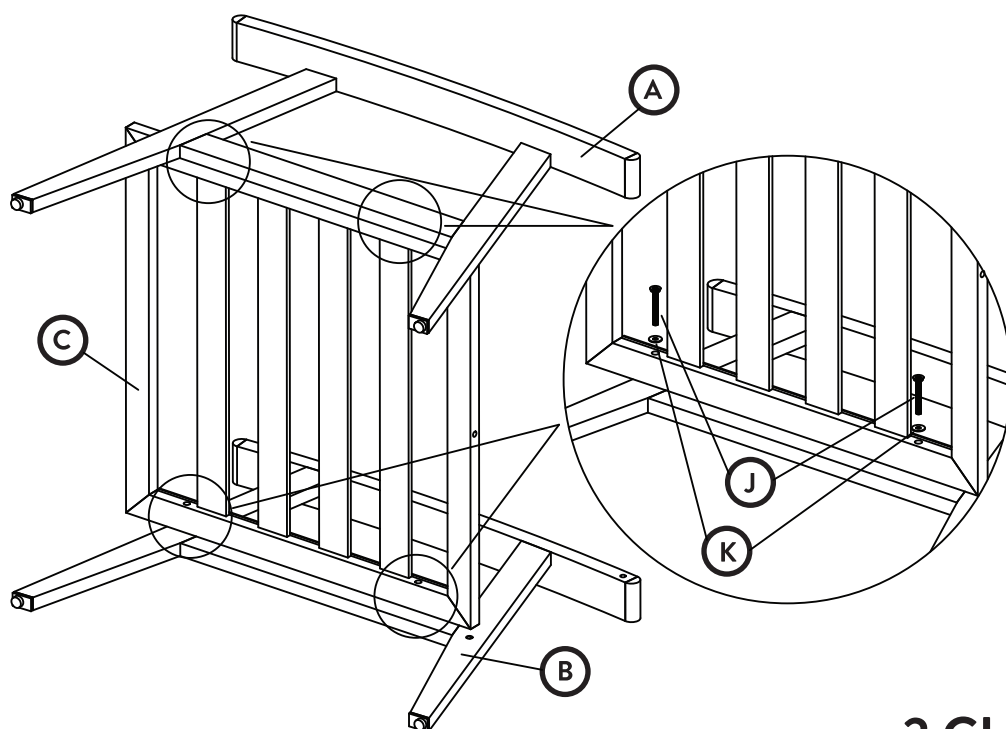
L Allen Key - 2 pcs



M Bolt Cover - 44 pcs

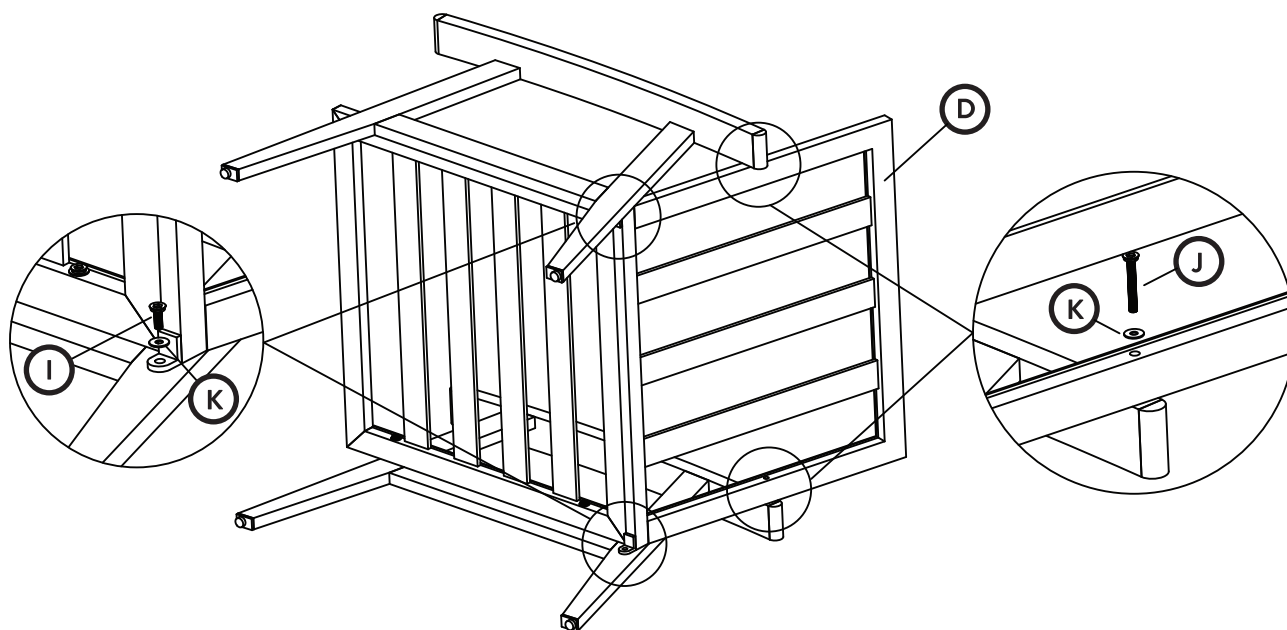


STEP 1 Using the M6x55mm bolts (J), and washers (K), attach the chair bottom (C) to the left and right arms (A,B).



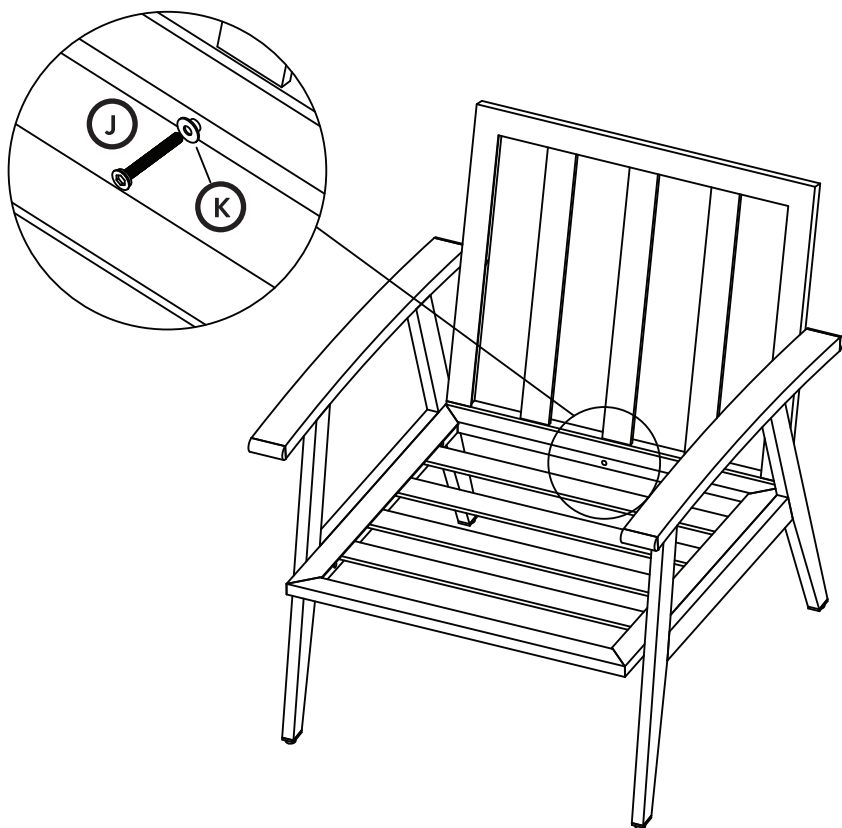
x 2 CHAIRS

STEP 2 Using the M6x20mm bolts (I), M6x55mm bolts (J) and washers (K), attach the chair back (D) to the chair bottom (C), and the left and right arms (A,B).

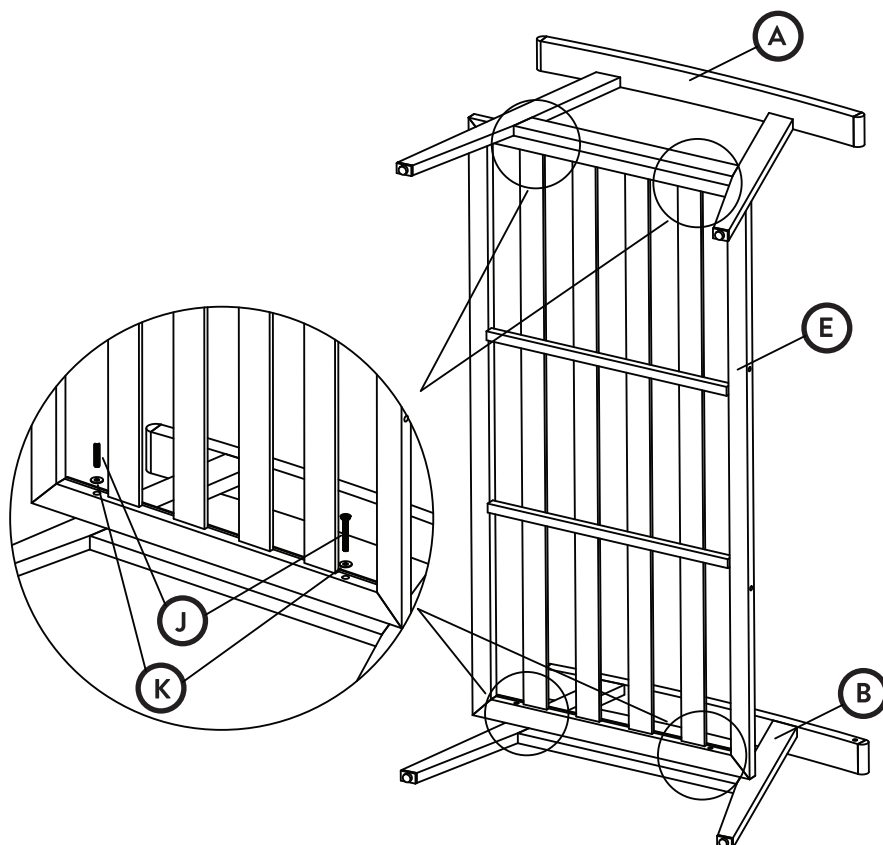


x 2 CHAIRS

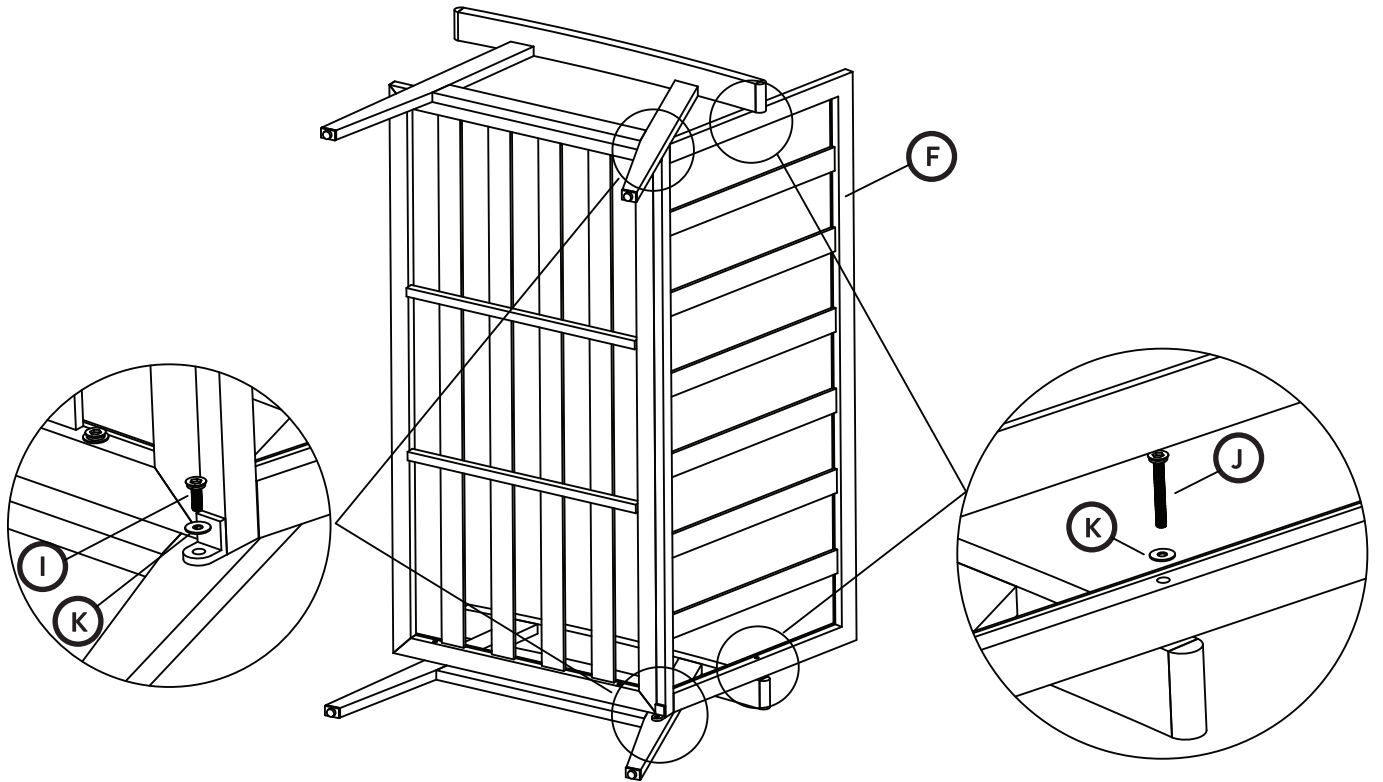
STEP 3



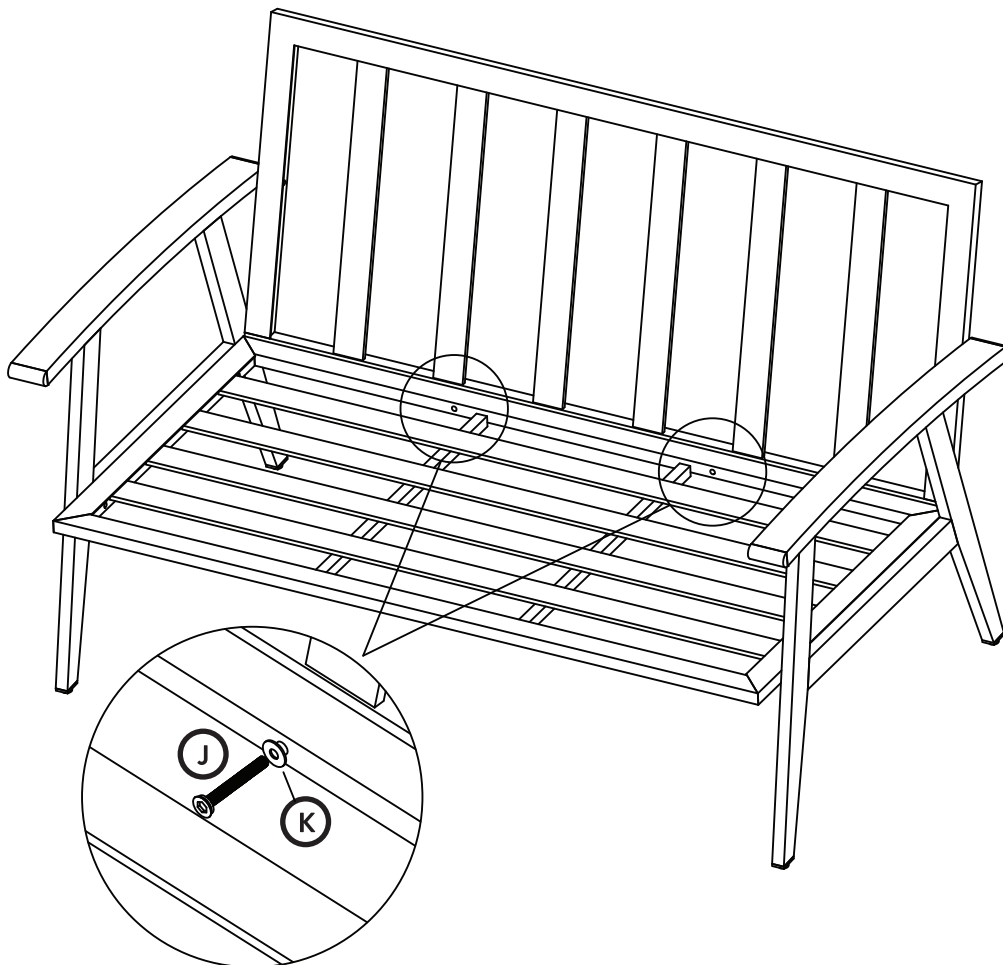
STEP 4 Using the M6x55mm bolts (J), M6x20mm bolts (I), and washers (K), attach the loveseat bottom (E), and loveseat back (F) to the left and right arms (A,B).



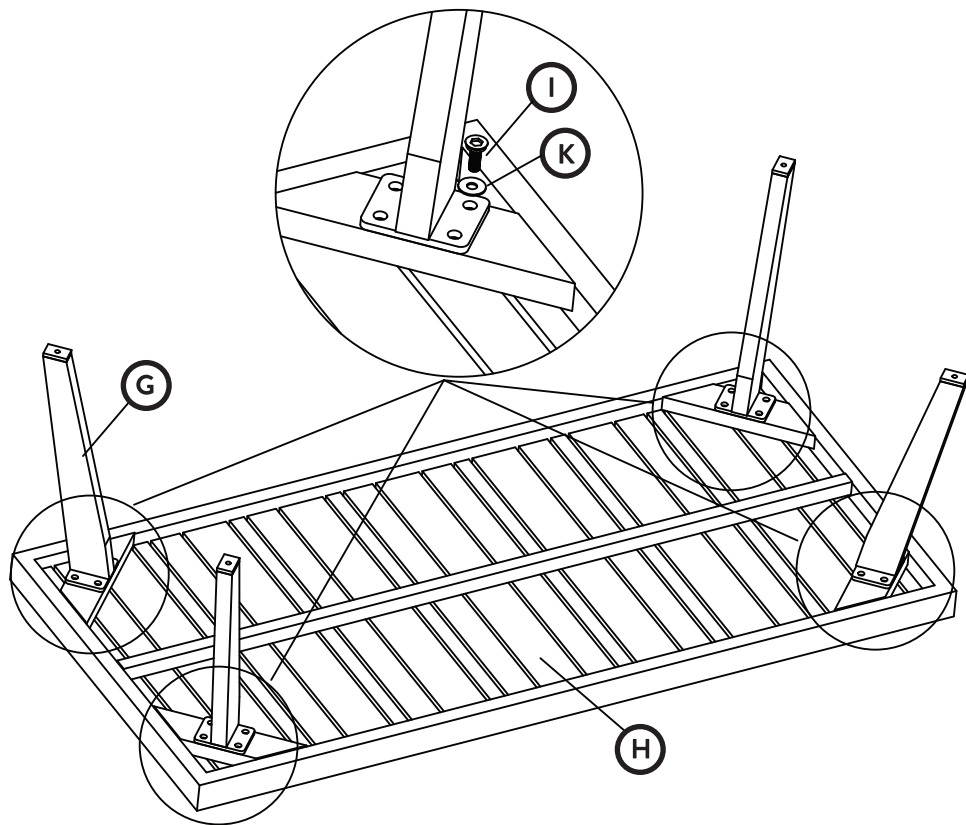
STEP 5



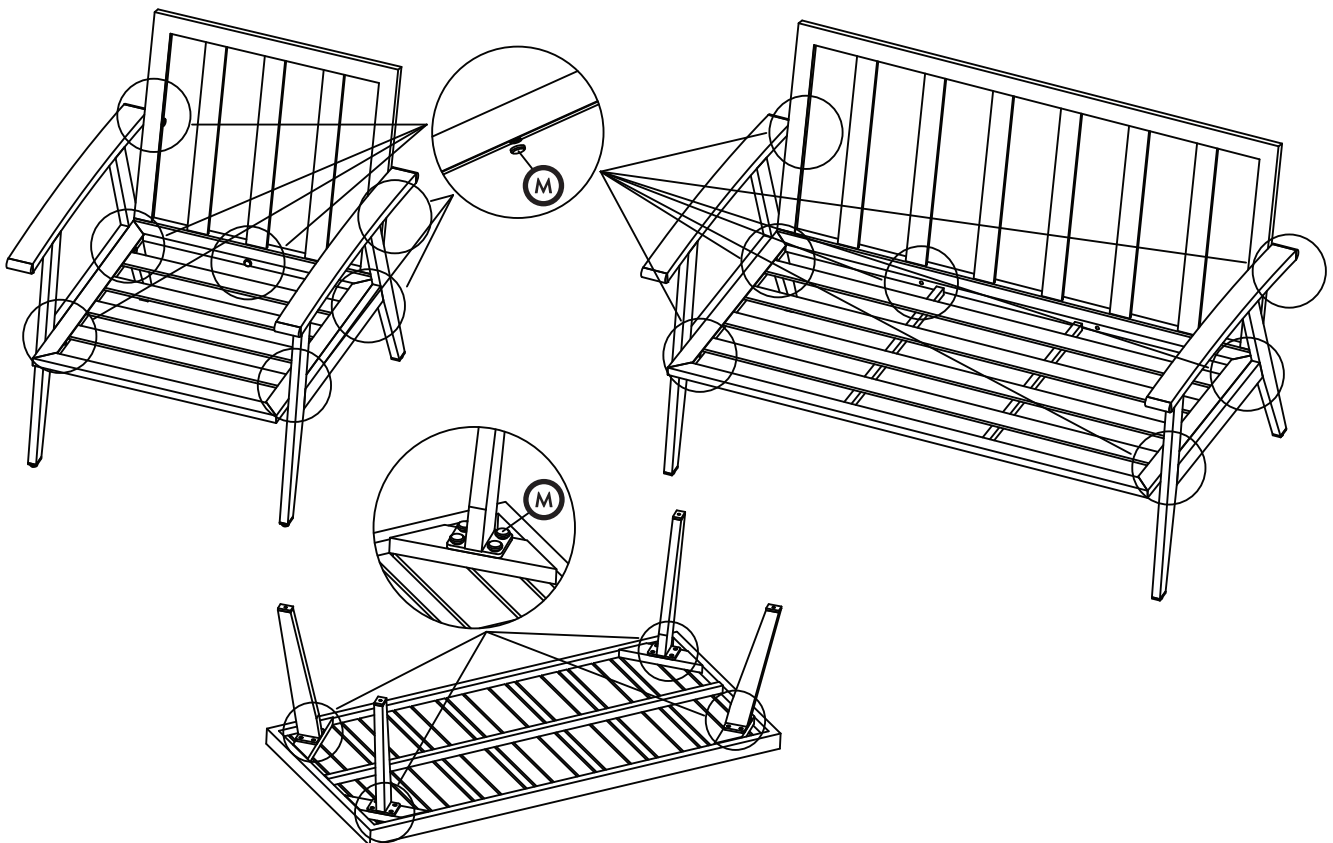
STEP 6



STEP 7 Using the m6x20mm bolts (I), and washers (K) attach the table legs (G) to the table top (H).



STEP 8 Add the protective bolt covers (M) to the heads of each exposed bolt as shown in the images below.



LIMITED 1-YEAR WARRANTY

WHAT IS COVERED

This warranty covers any defects in materials or workmanship, with the exceptions stated below.

HOW LONG COVERAGE LASTS

This warranty runs for one (1) year from the date of purchase.

WHAT IS NOT COVERED

The warranty applies only to the original purchaser and does not cover: (a) wear and tear; (b) improper maintenance, misuse, or alteration; (c) repair by unauthorized representatives; (d) damage resulting from transit or handling; or (e) transportation costs.

WHAT WE WILL DO

At our sole discretion we will repair, replace, or refund any product that proves to be defective in materials or workmanship.

HOW TO GET SERVICE

Visit “cirinasolutions.com” to submit your warranty claim. Please keep your receipt so that we may process your warranty request.

HOW STATE LAW APPLIES

This warranty gives you specific legal rights, and you may also have other rights which vary from state to state.

The foregoing warranty shall be exclusive and in lieu of any other warranty, express or implied, including warranties of merchantability and fitness for a particular purpose and all other warranties otherwise arising by operation of law, course of dealing, custom, trade, or otherwise. Neither the seller nor the manufacturer shall be liable for any injury, loss or damage, direct or consequential arising out of the use or inability to use this product.

WARRANTY FULFILLED BY CIRINA