

HEADBOARD ASSEMBLY INSTRUCTIONS

PARTS LIST:

- (A) M8 bolts x4
- (B) Big Washers x4
- (C) Wrench x1
- (D) M6 Bolts x4
- (E) Small Washers x4
- (F) Nuts x4
- (G) Headboard Mount x2
- (H) Wall Mount x2
- (I) Screws x16
- (J) Drywall Anchor x8
- (K) Hex key 65mm
- (L) Hex key 70mm

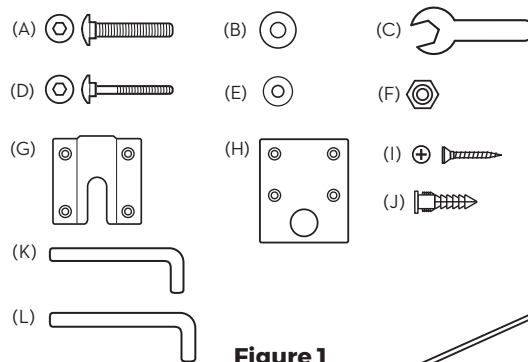


Figure 1

STEP 1

Remove the headboard from the box and lay it face down on the ground. Open the velcro panel on the back and remove both the legs and hardware.

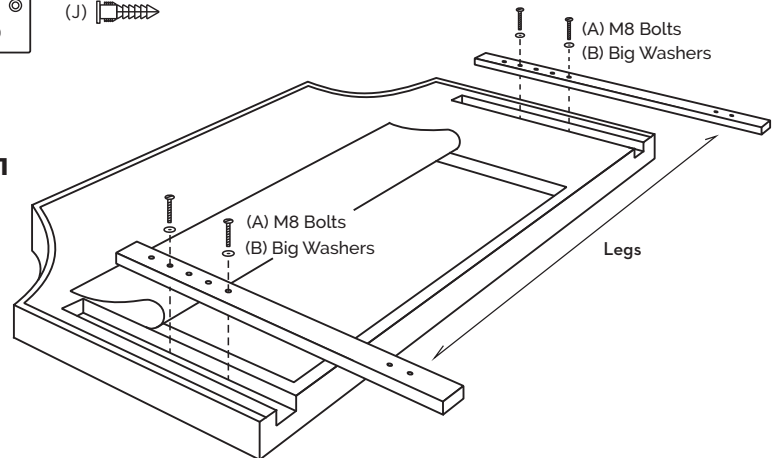
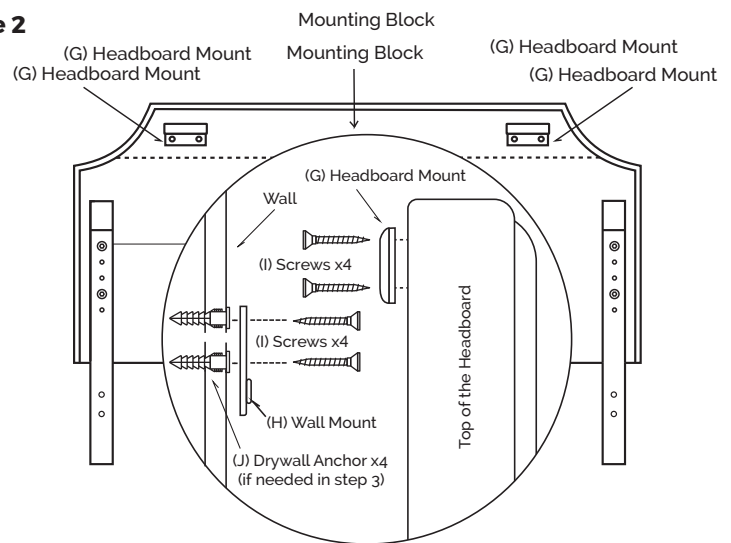


Figure 2

STEP 2

Using two (A) M8 bolts, two (B) big washers and the provided holes, secure both legs to the headboard at your desired height with the (L) hex key provided. (see Figure 1)



STEP 3 (recommended)

Using the mounting blocks on the back of your headboard, screw the two (C) headboard mounts to the top of your headboard with the provided (I) screws. Using the remaining (I) screws, attach the (H) wall mounts to your wall. Make sure to place the wall mounts at the correct height to pair with your previously installed (G) headboard mounts (see figure 2). If no wall studs are available to secure the headboard to your wall, use the provided (J) drywall anchors instead. Lift the headboard and lower into place to join the (G) and (H) mounts together.

STEP 4

With the front side of the headboard facing the bed frame, attach the headboard to the frame using the (D) M6 bolts and (K) hex key, (E) small washers and (F) nuts.

If your bed frame doesn't fit the headboard, use the provided modification plates to secure the bed frame to the headboard. More instructions are included with the plates.

Failure to follow these warnings and assembly instructions could result in serious injury or death. Read all instructions before assembling the headboard. Keep the assembly instructions for future use. Before each usage or assembly, inspect the headboard for damaged hardware, or missing parts. DO NOT use the headboard if any parts are missing or broken. If replacement parts and instructional literature are needed contact the manufacturer at 888.975.8243. DO NOT substitute parts.

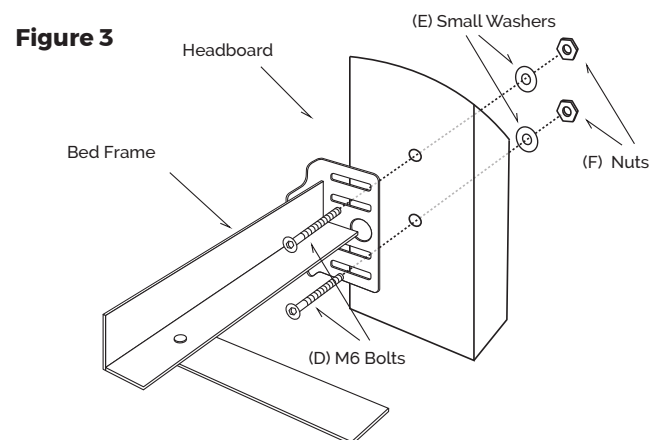


Figure 3

LIFETIME LIMITED WARRANTY

WHAT IS COVERED

This warranty covers any defects in materials or workmanship, with the exceptions stated below.

HOW LONG COVERAGE LASTS

This warranty runs for as long as the original purchaser owns the product.

WHAT IS NOT COVERED

The warranty applies only to the original purchaser and does not cover: (a) wear and tear; (b) improper maintenance, misuse, or alteration; (c) repair by unauthorized representatives; (d) damage resulting from transit or handling; or (e) transportation costs.

WHAT WE WILL DO

We will repair, replace, or refund any product that proves to be defective in materials or workmanship.

HOW TO GET SERVICE

E-mail “warranty@lucidmattress.com” to submit your warranty claim. Please keep your receipt so that we may process your warranty request.

HOW STATE LAW APPLIES

This warranty gives you specific legal rights, and you may also have other rights which vary from state to state.

The foregoing warranty shall be exclusive and in lieu of any other warranty, express or implied, including warranties of merchantability and fitness for a particular purpose and all other warranties otherwise arising by operation of law, course of dealing, custom, trade, or otherwise. Neither the seller nor the manufacturer shall be liable for any injury, loss or damage, direct or consequential arising out of the use or inability to use this product.

WARRANTY FULFILLED BY LUCID

info@lucidmattress.com

888.975.8243